

**Project Contact**

Blossom Scott-Heim, P.E.  
**County Project Engineer**  
(209) 533-5633  
2 S. Green Street  
Sonora, CA 95370  
bscott-heim@co.tuolumne.ca.us

Joe Siemers, PE  
**MGE Engineering, Inc.**  
7415 Greenhaven Drive, Suite  
100  
Sacramento, CA 95831

**Hardin Flat Road crossing South Fork of Tuolumne River,  
Bridge No. 32C0053**

Project No. 1673  
Federal Project No. BRLO-5932(079)

**Description**

The project proposes to replace wooden post and beam bridge with a concrete box girder bridge located on Hardin Flat Road crossing the South Fork of the Tuolumne River. The abutment and stringers of the existing bridge suffered burn damage during the RIM Fire.

**Purpose and Need**

The RIM Fire began on August 17, 2013 and burned 257,314 acres until full containment was reached on October 24, 2013. Structural damage to the bridge was part of the extreme devastation from the RIM Fire on Hardin Flat Road.

**Strategic Plan Goals**

Remove bridge from the Eligible Bridge List (EBL) within California Department of Transportation (Caltrans), Structure Maintenance and Investigations Division.

**Funding Sources**

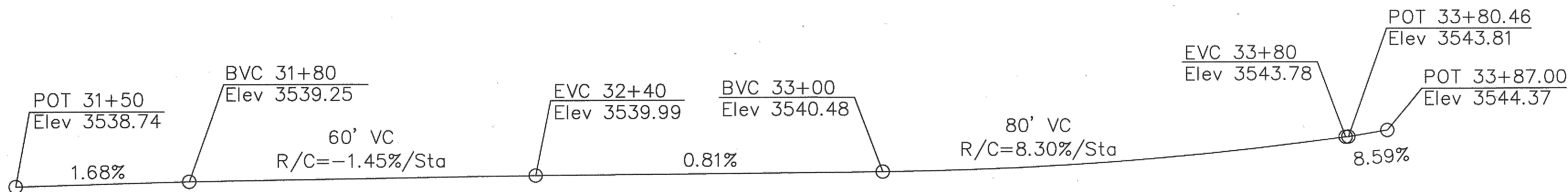
Federal Highway Administration (FHWA), Highway Bridge Program (HBP) and California Toll Credits - 100% funded

**Total Project Cost:** \$3,568,284

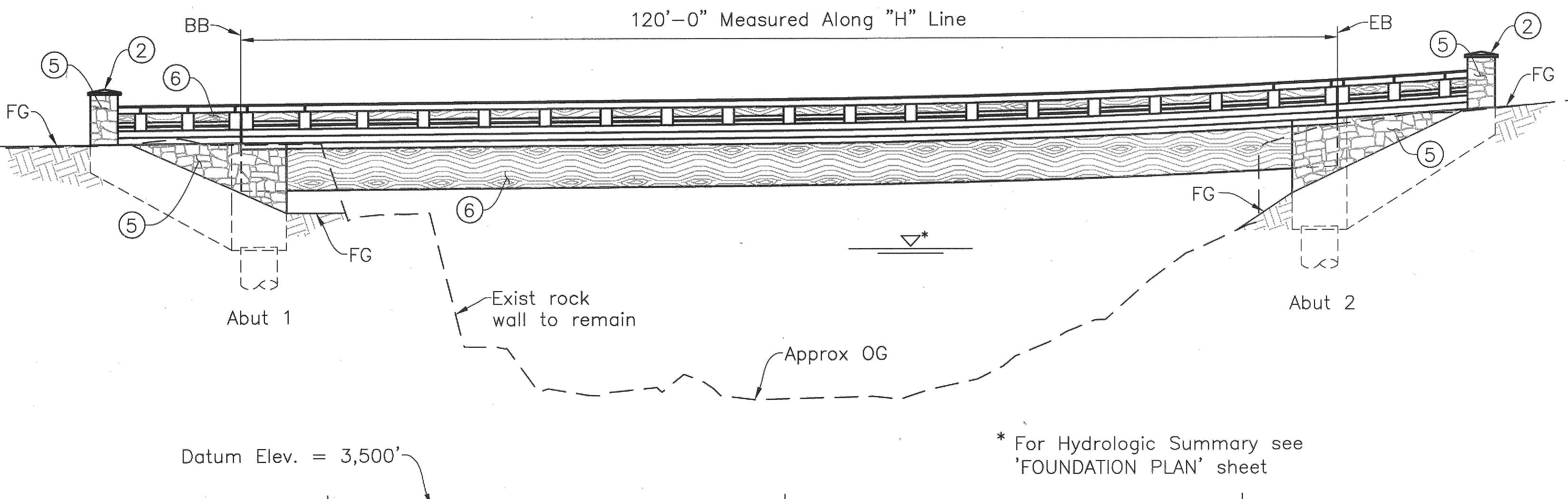
**Current Phase**

Construction will be complete Spring 2019.

**Anticipated Year of Construction:** April 2018



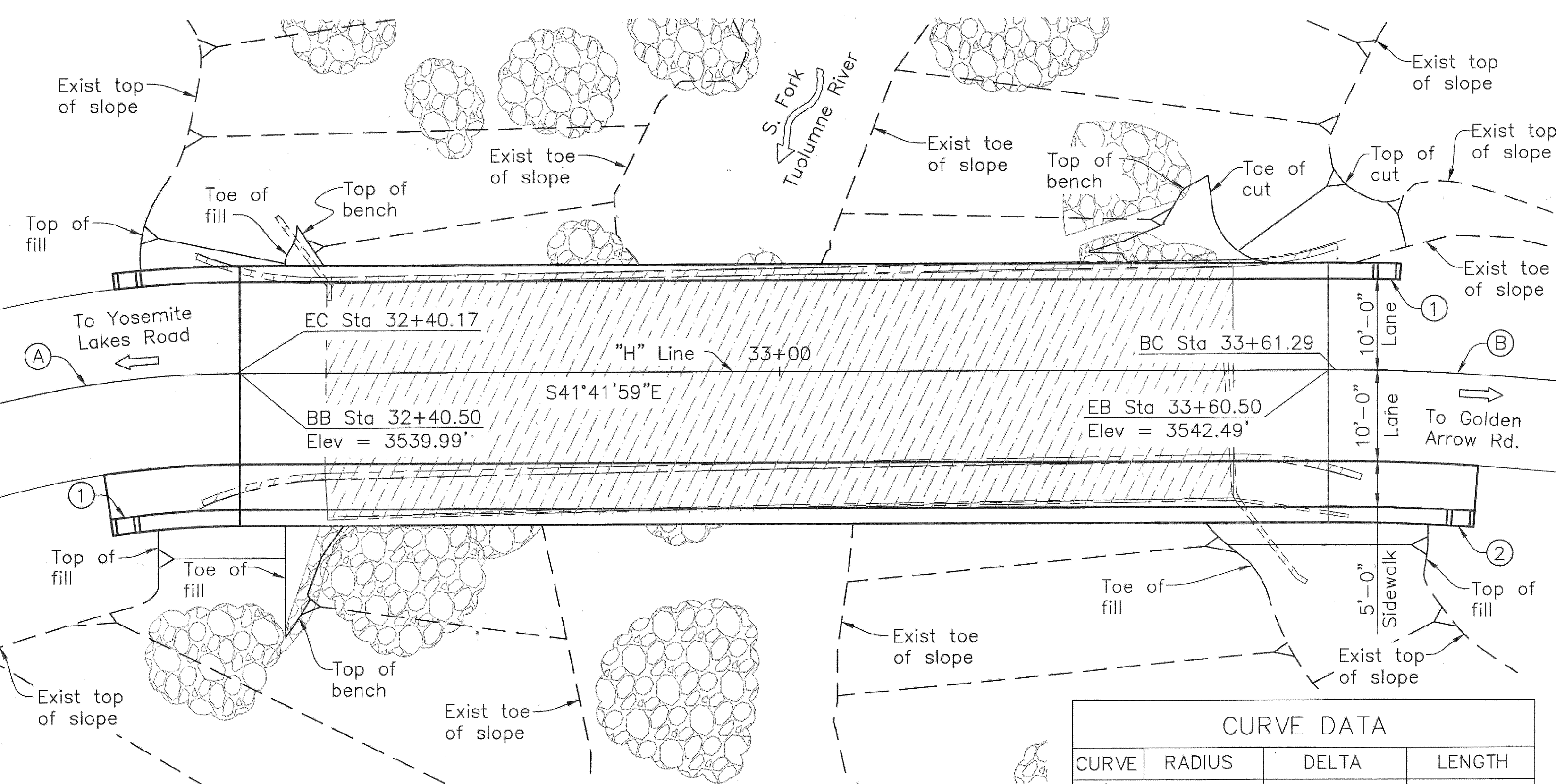
**PROFILE GRADE**  
NO SCALE



**DEVELOPED ELEVATION**  
1"=10'-0"

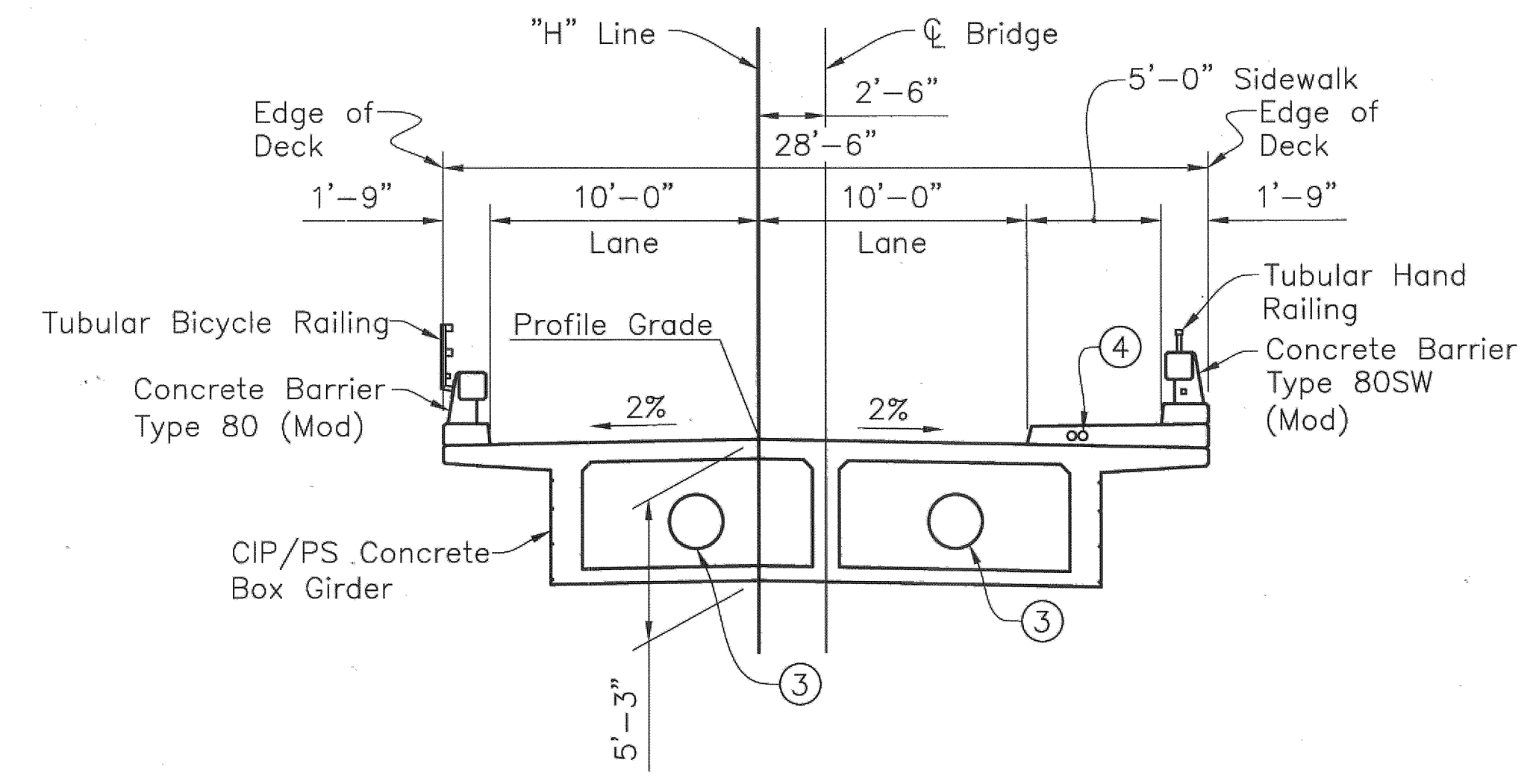
\* For Hydrologic Summary see 'FOUNDATION PLAN' sheet

Note:  
Existing bridge not shown



**PLAN**  
1"=10'-0"

CURVE DATA			
CURVE	RADIUS	DELTA	LENGTH
(A)	110.00'	29°33'03"	56.73'
(B)	230.00'	4°46'32"	19.17'



**TYPICAL SECTION**  
3/16"=1'-0"

**Legend:**

- ① County to provide date plate for engraving year of construction into barrier rail. Date plate to be incorporated into barrier rail form.
- ② Concrete Pilaster (Total 4), see ABUTMENT DETAILS No. 3 sheet.
- ③ Future utility opening
- ④ 2-4 in. dia. (Sch 40 PVC) openings (future utility)
- ⑤ Fieldstone concrete surface texture
- ⑥ Wood grain concrete surface texture & paint
- ▨ Indicates existing bridge (Br. No. 32C0053) to be removed
- ⊙ Indicates approximate location of existing rock outcropping and boulders, see FOUNDATION PLAN sheet
- ➔ Indicates direction of traffic
- - - Indicates existing top/toe of slope
- Indicates proposed top/toe of slope

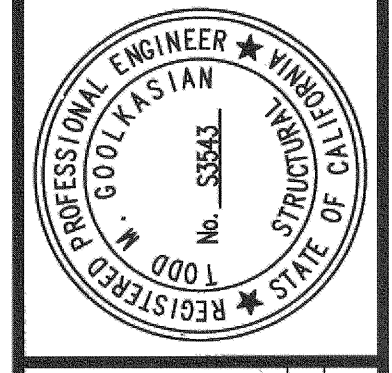
**Notes:**

1. For General Notes, see DECK CONTOURS sheet.
2. The Contractor shall verify all controlling field dimensions before ordering or fabricating any material.
3. For contour grading, see Road Plans

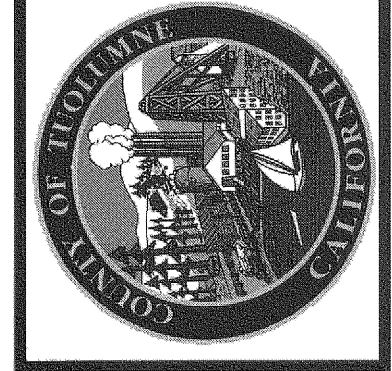
**CALTRANS STANDARD PLANS DATED 2010**

- A10A ABBREVIATIONS (SHEET 1 OF 2)
- RSP A10B ABBREVIATIONS (SHEET 2 OF 2)
- A10C LINES AND SYMBOLS (SHEET 1 OF 3)
- A10D LINES AND SYMBOLS (SHEET 2 OF 3)
- A10E LINES AND SYMBOLS (SHEET 3 OF 3)
- A62C LIMITS OF PAYMENT FOR EXCAVATION AND BACKFILL - BRIDGE
- B0-1 BRIDGE DETAILS
- B0-3 BRIDGE DETAILS
- B0-5 BRIDGE DETAILS
- B0-13 BRIDGE DETAILS
- B6-21 JOINT SEALS (MAXIMUM MOVEMENT RATING = 2")
- B7-1 BOX GIRDER DETAILS
- B7-10 UTILITY OPENING BOX GIRDER
- B8-5 CAST-IN-PLACE PRESSESSED GIRDER DETAILS
- RSP B11-60 CONCRETE BARRIER TYPE 80 (SHEET 1 OF 2)
- B11-61 CONCRETE BARRIER TYPE 80 (SHEET 2 OF 2)
- RSP B11-62 CONCRETE BARRIER TYPE 80SW (SHEET 1 OF 3)
- B11-63 CONCRETE BARRIER TYPE 80SW (SHEET 2 OF 3)
- B11-64 CONCRETE BARRIER TYPE 80SW (SHEET 3 OF 3)
- B14-5 WATER SUPPLY LINE (DETAILS) (PIPE SIZES < 4")

⊙ B0-3  
③-1 Indicates Caltrans standard plan sheet no.  
③-1 Indicates detail no.



SIGNATURE	REGISTERED STRUCTURAL ENGINEER	DATE	3/10/17
SUPERVISOR'S APPROVAL	REGISTERED STRUCTURAL ENGINEER	PLANS APPROVAL DATE	
DIST. COUNTY	ROUTE	POST MILE TO PROJECT	
TWO	N/A		
TEN	N/A		
FIFTEEN	N/A		
SIXTY	N/A		
SIXTY-ONE	N/A		
SIXTY-TWO	N/A		
SIXTY-THREE	N/A		
SIXTY-FOUR	N/A		
SIXTY-FIVE	N/A		
SIXTY-SIX	N/A		
SIXTY-SEVEN	N/A		
SIXTY-EIGHT	N/A		
SIXTY-NINE	N/A		
SEVENTY	N/A		
SEVENTY-ONE	N/A		
SEVENTY-TWO	N/A		
SEVENTY-THREE	N/A		
SEVENTY-FOUR	N/A		
SEVENTY-FIVE	N/A		
SEVENTY-SIX	N/A		
SEVENTY-SEVEN	N/A		
SEVENTY-EIGHT	N/A		
SEVENTY-NINE	N/A		
EIGHTY	N/A		
EIGHTY-ONE	N/A		
EIGHTY-TWO	N/A		
EIGHTY-THREE	N/A		
EIGHTY-FOUR	N/A		
EIGHTY-FIVE	N/A		
EIGHTY-SIX	N/A		
EIGHTY-SEVEN	N/A		
EIGHTY-EIGHT	N/A		
EIGHTY-NINE	N/A		
NINETY	N/A		
NINETY-ONE	N/A		
NINETY-TWO	N/A		
NINETY-THREE	N/A		
NINETY-FOUR	N/A		
NINETY-FIVE	N/A		
NINETY-SIX	N/A		
NINETY-SEVEN	N/A		
NINETY-EIGHT	N/A		
NINETY-NINE	N/A		
HUNDRED	N/A		



**TUOLUMNE COUNTY**  
COMMUNITY RESOURCES AGENCY  
2 SOUTH GREEN STREET  
SONOMA, CALIFORNIA 95670  
PHONE (909) 350-5630  
FAX (209) 350-5635

**GENERAL PLAN**  
IMPROVEMENT PLANS FOR:  
**HARDIN FLAT ROAD BRIDGE (REPLACE)**  
**OVER S. FORK TUOLUMNE RIVER**  
TUOLUMNE COUNTY, CALIFORNIA

JOB NO.	2014051
DATE	3/9/2017
DR BY	NRZ
CK BY	SMC
BRIDGE NO.	32C0053



986 W Alluvial Ave - Suite 201  
Fresno, California 93711  
559.320.3200  
fax 559.320.3201

SHEET NUMBER  
**S1**  
5 OF 16 SHEETS