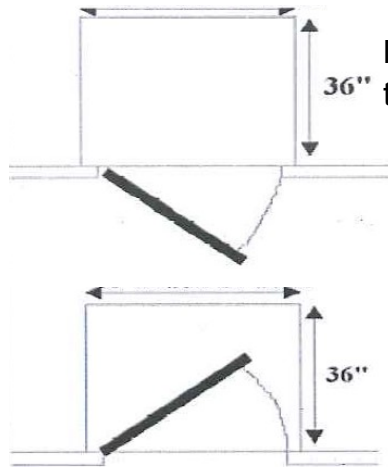


2019 California Residential Code Stairway & Landing Requirements

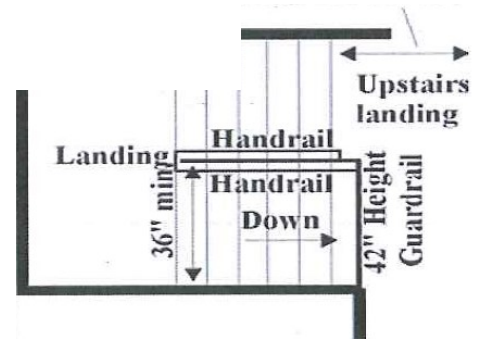
Minimum width of landing equal to width of door.



Minimum of 36" in the direction of travel

All landings are to be sloped a maximum of 1/4" per foot

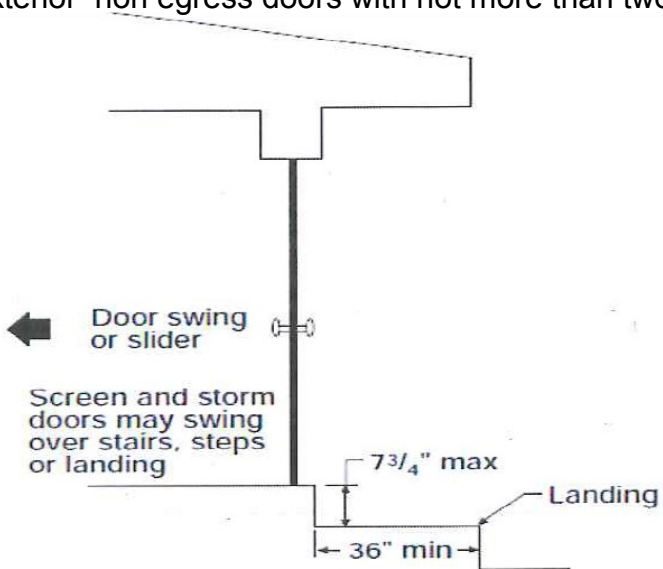
Stairways and Handrails



Stairways and landings are required to be a minimum of 36" in width. Handrails are required on at least one side of stairways with four or more risers, and continuous for the full length of the flight.

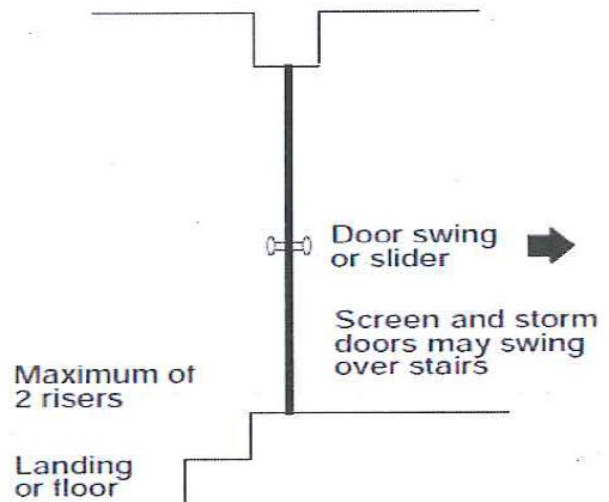
NOTE: Winding, circular or spiral stairways have special requirements not covered in this handout.

There shall be a landing or floor on each side of each exterior door. Landings or finished floors at the required egress door shall not be more than 1 1/2 inches lower than the top of the threshold. See exceptions for exterior landings where the door does not swing over the landing/floor and for exterior non egress doors with not more than two risers. Figures R111.3.1 and R311.3.2



Applicable to all exterior doors including the required egress door

Exception to Section R311.3.1



Applicable to all exterior doors except the required egress door

Exception to Section R311.3.2

When the run is less than 11 inches with a solid riser, a nosing is required.

Nosing 3/4" to 1-1/4"

Run less than 11 inches

Solid riser

Maximum 1/2" radius.

If there is not a solid riser, the opening between the treads must not permit a 4" sphere to pass.

7-3/4" max. & 4" min. riser

The largest tread width or riser height within any flight of stairs may not exceed the smallest by more than 3/8".

10" min. Run

Minimum 6'-8" headroom measured from tread nosing

On landings and decks and similar platforms more than 30" above grade, the vertical or horizontal rails must be spaced so a 4" sphere cannot pass through.

Handrails must be set at a height of 34"-38" measured from the nosing of the stairway tread. The guardrails on the side of stairways consisting of vertical or horizontal rails spaced so a 4'-3/8" sphere cannot pass through.

42" minimum height on guardrails.

The ends of handrails must be returned to the wall or terminate in a post or safety terminal.

Guardrails are required at the open sides of stairways and landings which are more than 30" above grade.

Triangular openings formed by the riser, tread, and bottom of guardrail shall be sized so a 6" sphere cannot pass through.

Finished grade